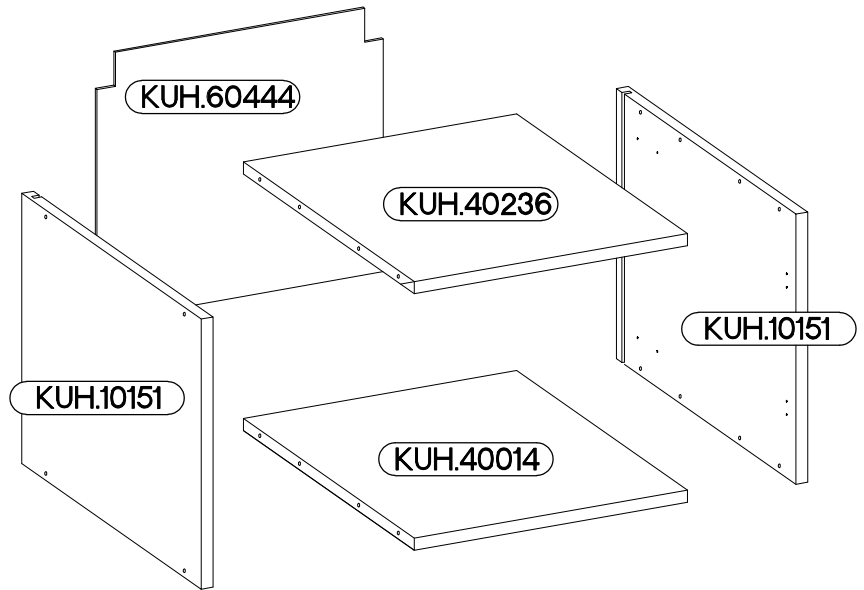
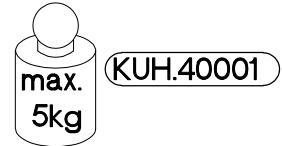
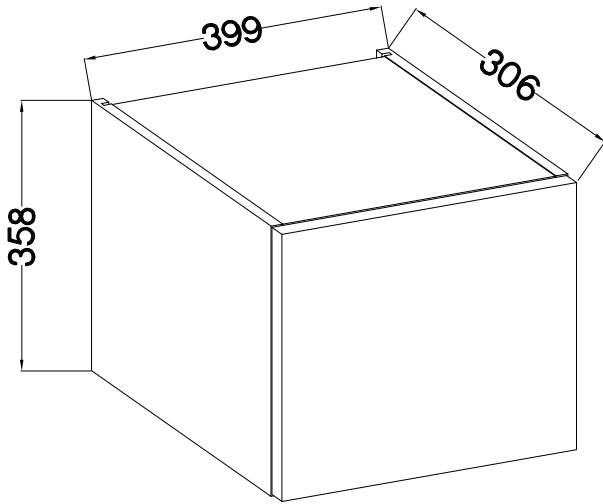
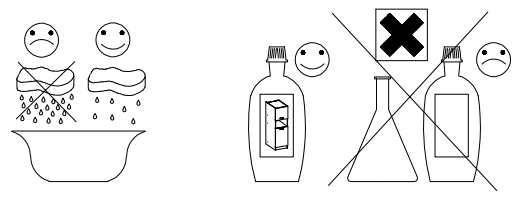
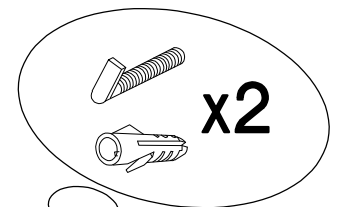


40 GU-36 1F



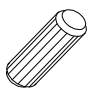
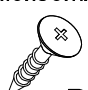
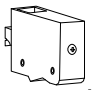
Ersatzteil Nummer	Dimension
KUH.10051 x2	357,5x290x16
KUH.40019	367x276x16
KUH.40236	367x276x16
KUH.60444	353x385x2,5

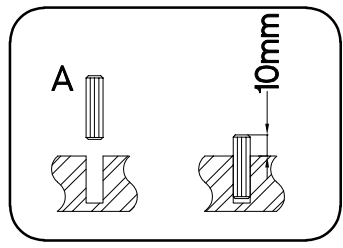
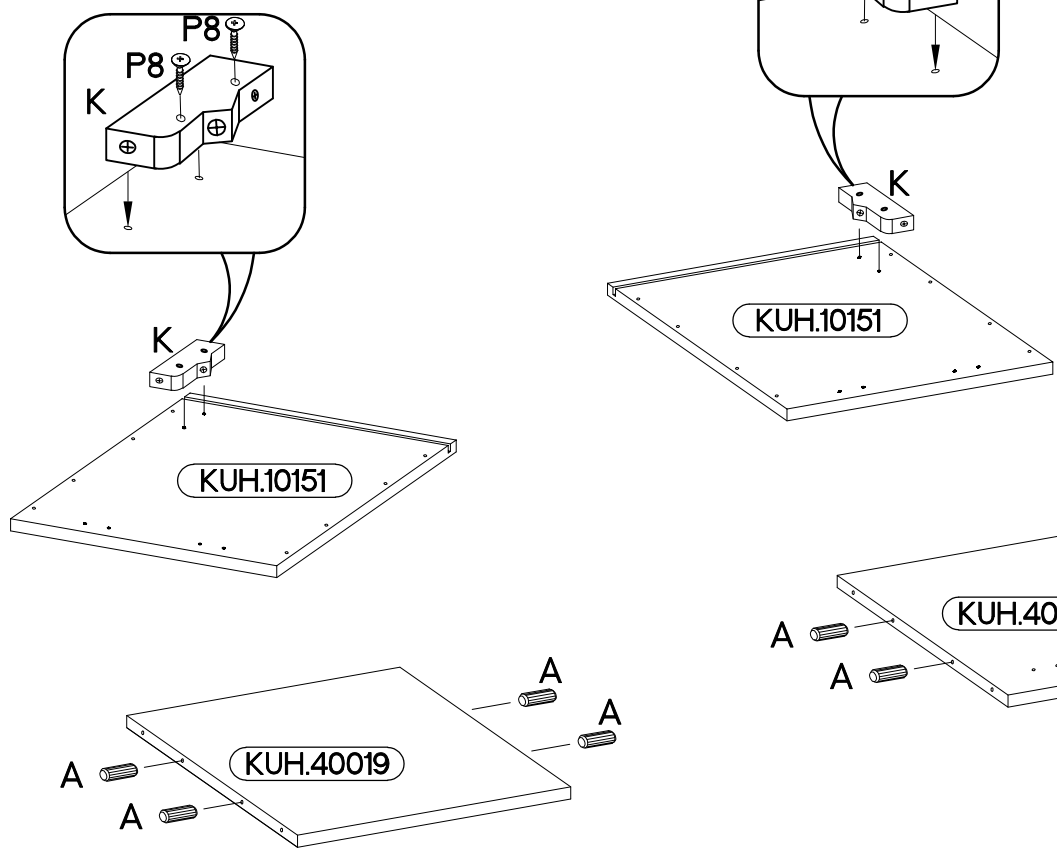
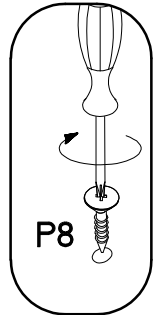
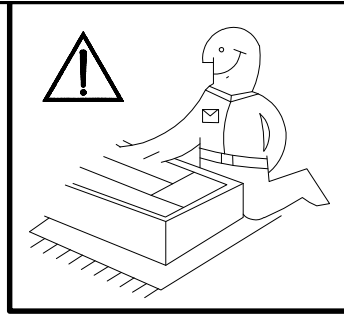
 A 8	 B 8	 E1 8	 HG 2	 K 2
 K24 1	 O 1	 P5 4	 P7 8-10	 P8 4



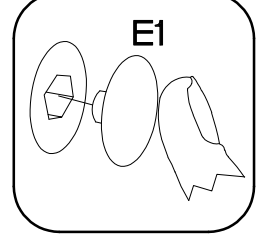
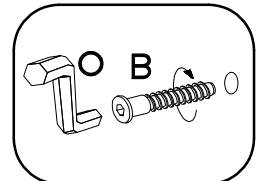
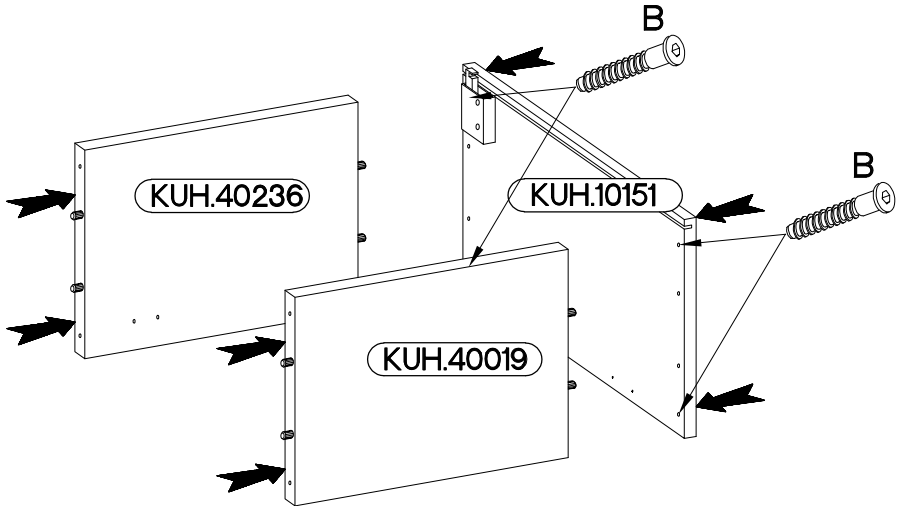
ISM-KUH-01283


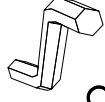
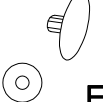
1

$\pm 8 \times 30 \text{mm}$ 	$\pm 4.0 \times 30 \text{mm}$ 	
A	P8	K
8	4	2



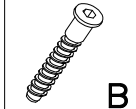
2



$6.4 \times 50 \text{mm}$ 		
B	O	E1
4	1	4

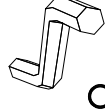
3

6,4 x 50mm



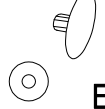
B

4



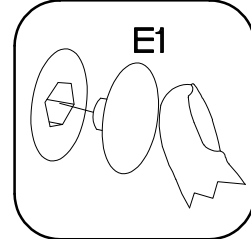
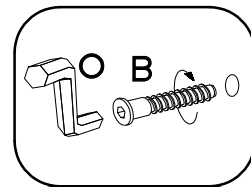
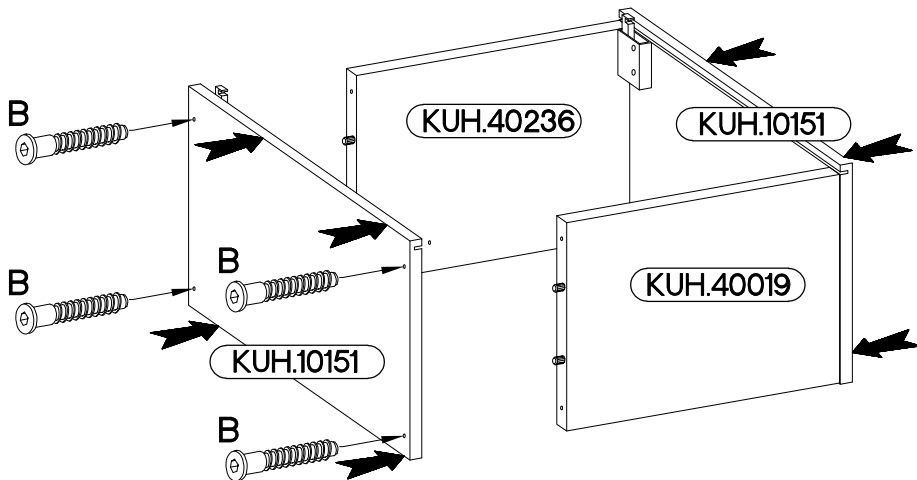
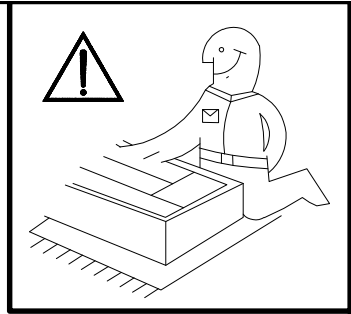
O

1



E1

4



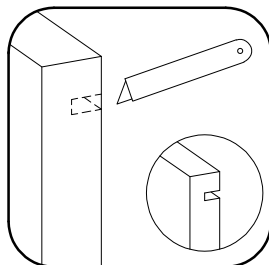
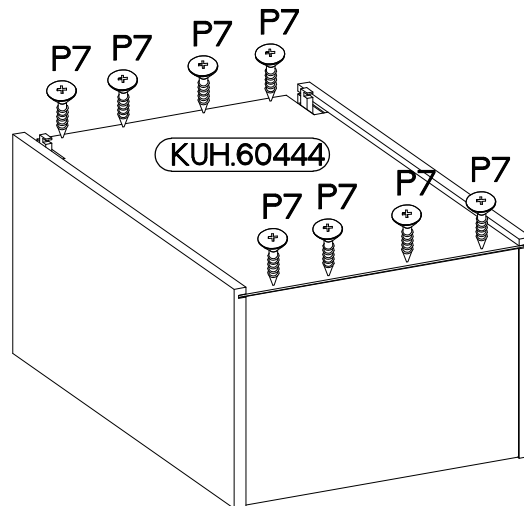
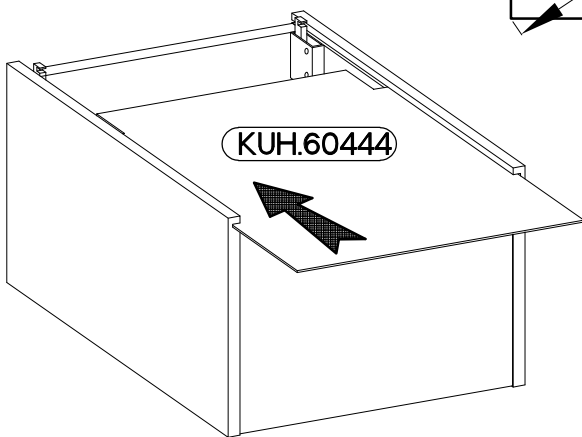
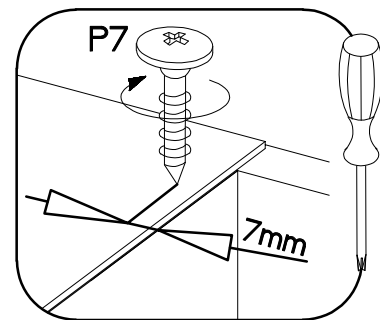
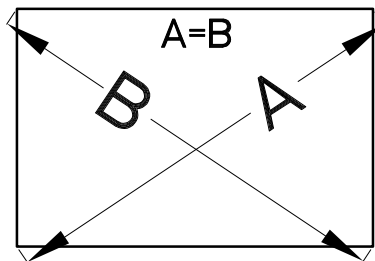
4

†3.0x20mm



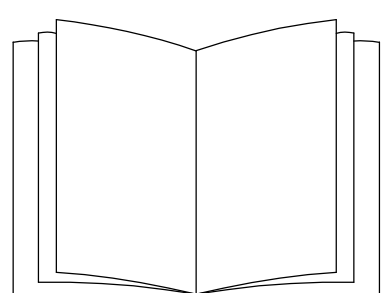
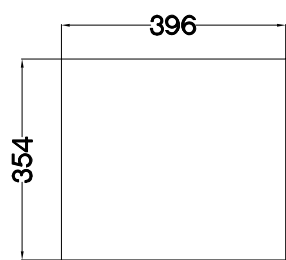
P7

8-10



5

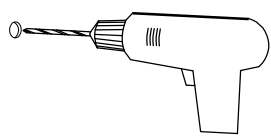
FRONT



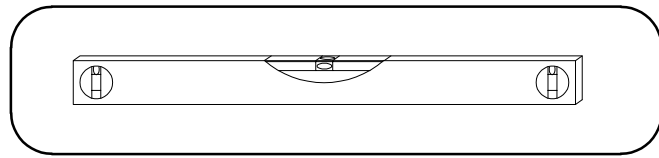
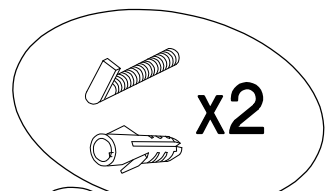
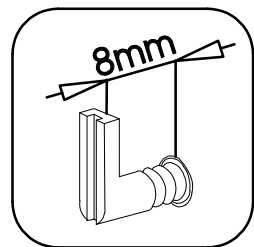
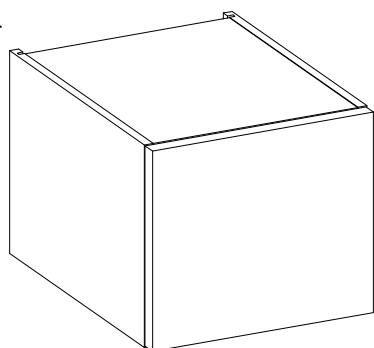
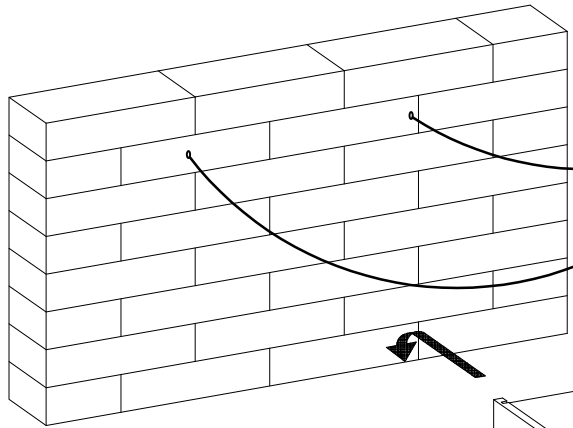
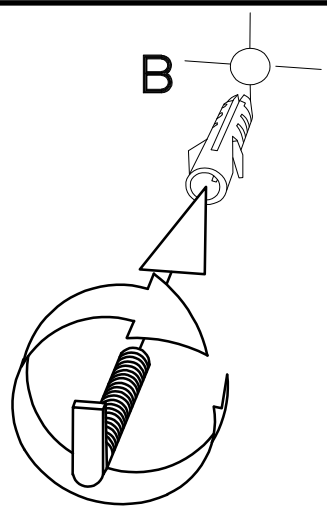
6

A

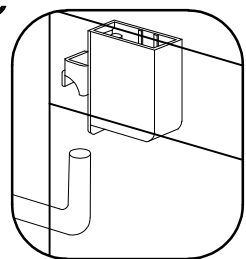
Ø10mm



B



C



D

